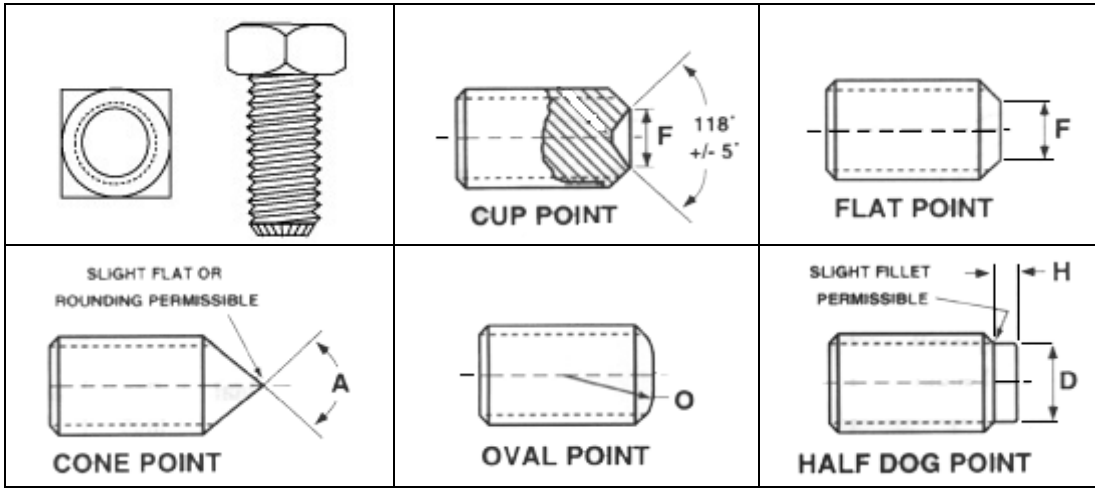


## Square Head Set Screws (Jack Bolt)



Cup Point (standard)	Plain - QSC010-----	Zinc - QSC010-----	Stainless = QSC188-----
Flat Point	Plain - QSFP010-----	Zinc - QSFP010-----	Stainless = QSFP188-----
Cone Point	Plain - QSCP010-----	Zinc - QSCP010-----	Stainless = QSCP188-----
Oval Point	Plain - QSOP010-----	Zinc - QSOP010-----	Stainless = QSOP188-----
Half Dog Point	Plain - QSHD010-----	Zinc - QSHD010-----	Stainless = QSHD188-----
Full Dog Point	Plain - QSFD010-----	Zinc - QSFD010-----	Stainless = QSFD188-----

Class 3A Fit

Rockwell Hardness 38-43

Nominal Size	Across Flats		Across Corners		Head Height	
	Max	Min	Max	Min	Max	Min
	10	0.188	0.180	0.265	0.247	0.148
1/4	0.250	0.241	0.354	0.331	0.196	0.178
5/16	0.312	0.302	0.442	0.415	0.245	0.224
3/8	0.375	0.362	0.530	0.497	0.293	0.270
7/16	0.438	0.423	0.619	0.51	0.341	0.315
1/2	0.500	0.484	0.707	0.665	0.389	0.631
9/16	0.562	0.545	0.795	0.748	0.437	0.407
5/8	0.625	0.606	0.884	0.833	0.485	0.452
3/4	0.750	0.729	1.060	1.001	0.582	0.544
7/8	0.875	0.852	1.237	1.170	0.678	0.635
1	1.000	0.974	1.414	1.337	0.774	0.726
1-1/8	1.125	1.096	1.591	1.505	0.870	0.817
1-1/4	1.250	1.219	1.768	1.674	0.966	0.908
1-3/8	1.375	1.342	1.945	1.843	1.063	1.000
1-1/2	1.500	1.464	2.121	2.010	1.159	1.091

Note: Half Dog, Full Dog and Cone points are measured in overall length.